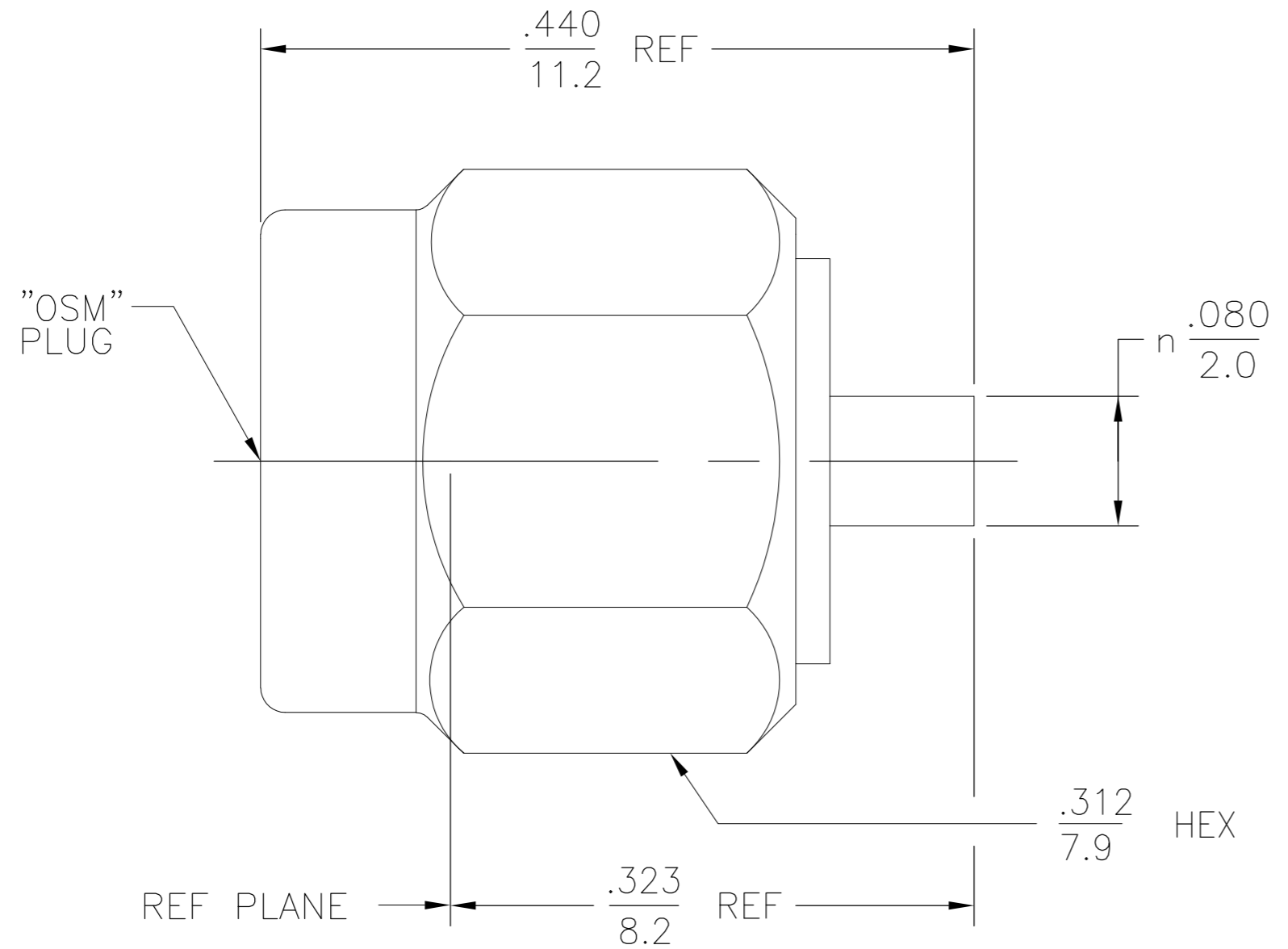


THIS DRAWING IS UNPUBLISHED. RELEASED FOR PUBLICATION
 © COPYRIGHT BY TYCO ELECTRONICS CORPORATION. ALL RIGHTS RESERVED.

DESIGNED FOR USE WITH
 .047 S.R.
 CABLE ENTRY DIAMETER
 MINIMUM
 HOUSING .051
 CONTACT .013

| LOC | DIST | REVISIONS | | | |
|-----|------|-------------|-----------------------|-----------|-------|
| P | LTR | DESCRIPTION | DATE | DWN | APVD |
| AJ | 00 | B | REV PER ECO 07-004710 | 3/13/2007 | DW KW |



1050767-1
 PART NUMBER

| ELECTRICAL | MECHANICAL | ENVIRONMENTAL |
|---|--|---|
| Nominal Impedance (Ohms) <u>50</u> | Interface Dimensions MIL-STD-348A, Fig. <u>310-1</u> | TEMPERATURE RATING <u>-65\$ TO +165\$C</u> |
| Frequency Range (GHz) DC to <u>18.0</u> | Recommended Mating Torque <u>7-10 IN-LBS</u> | Vibration MIL-STD-202, Method 204, Condition D |
| Volt Rating (VRMS MAX) @ Sea Level <u>170</u> | Mating Characteristics: Insertion (MAX Lbs) <u>3.0</u> | Shock MIL-STD-202, Method 213, Condition I |
| VSWR <u>1.20 + .02f(GHz)</u> | Withdrawal (MIN Oz) <u>1.0</u> | Thermal Shock MIL-STD-202, Method 107, Condition B, EXCEPT HIGH TEMP +85\$C |
| Insertion Loss (dB MAX) <u>.06 f(GHz)</u> | Force to Engage and Disengage (In-Lbs MAX) <u>2.0</u> | Moisture Resistance MIL-STD-202, Method 106 |
| RF Leakage (dB MIN) <u>-[90-f(GHz)]</u> | Center Contact Captivation Axial (Lbs) <u>N/A</u> | Corrosion - MIL-STD-202, Method 101, Condition B, 5% salt spray |
| Corona, 70,000 Ft (VRMS MIN) <u>125</u> | Cable Retention Axial Force (Lbs) <u>10.0</u> | |
| Dielectric Withstanding Voltage (VRMS MIN) @ Sea Level <u>500</u> | Torque (In-Oz) <u>N/A</u> | |
| Contact Resistance (Milliohms MAX) Center Contact <u>3.0</u> | Weight (Grams) <u>TBD</u> | |
| Outer Contact <u>2.0</u> | | |
| Cable to Housing <u>0.5</u> | | |
| RF High Potential @ Sea Level (VRMS MIN @ 5 MHz) <u>335</u> | | |
| I.R.(Megohms MIN) <u>5,000</u> | | |

.XXX = in
 XX.X = mm (REF)

| COMPONENT | MATERIAL | FINISH |
|----------------|---|----------------------------|
| HOUSING | STAINLESS STEEL PER ASTM-A484 AND ASTM-A582, TYPE 303 | GOLD PLATE PER MIL-G-45204 |
| COUPLING NUT | STAINLESS STEEL PER ASTM-A484 AND ASTM-A582, TYPE 303 | PASSIVATE PER QQ-P-35 |
| DIELECTRIC | PTFE FLUOROCARBON PER ASTM-D-1457 | N/A |
| CENTER CONTACT | BERYLLIUM COPPER PER ASTM-B-196 OR ASTM-B-197, ALLOY C17300, CONDITION H OR BRASS PER ASTM-B-16 | GOLD PLATE PER MIL-G-45204 |
| RETAINING RING | BERYLLIUM COPPER PER ASTM-B-194, ALLOY C17200, CONDITION H | N/A |
| GASKET | SILICONE RUBBER PER ZZ-R-765 | N/A |

| | | | |
|---|--|-------------------|--|
| THIS DRAWING IS A CONTROLLED DOCUMENT. | | DWN B.D 11/11/88 | Tyco Electronics Corporation Harrisburg, PA 17105-3608 |
| DIMENSIONS: INCHES | | CHK K.M 11/14/88 | |
| TOLERANCES UNLESS OTHERWISE SPECIFIED: | | APVD MCD 11/14/88 | |
| 0 PLC ± - 1 PLC ± - 2 PLC ± - 3 PLC ± .005 4 PLC ± - ANGLES ± 1° | | PRODUCT SPEC | |
| MATERIAL | | APPLICATION SPEC | NAME OSM STRAIGHT CABLE PLUG DIRECT SOLDER ATTACHMENT |
| FINISH | | WEIGHT | SIZE A2 CAGE CODE 00779 DRAWING NO C=1050767 RESTRICTED TO |
| | | CUSTOMER DRAWING | SCALE 8:1 SHEET 1 of 1 REV B |